

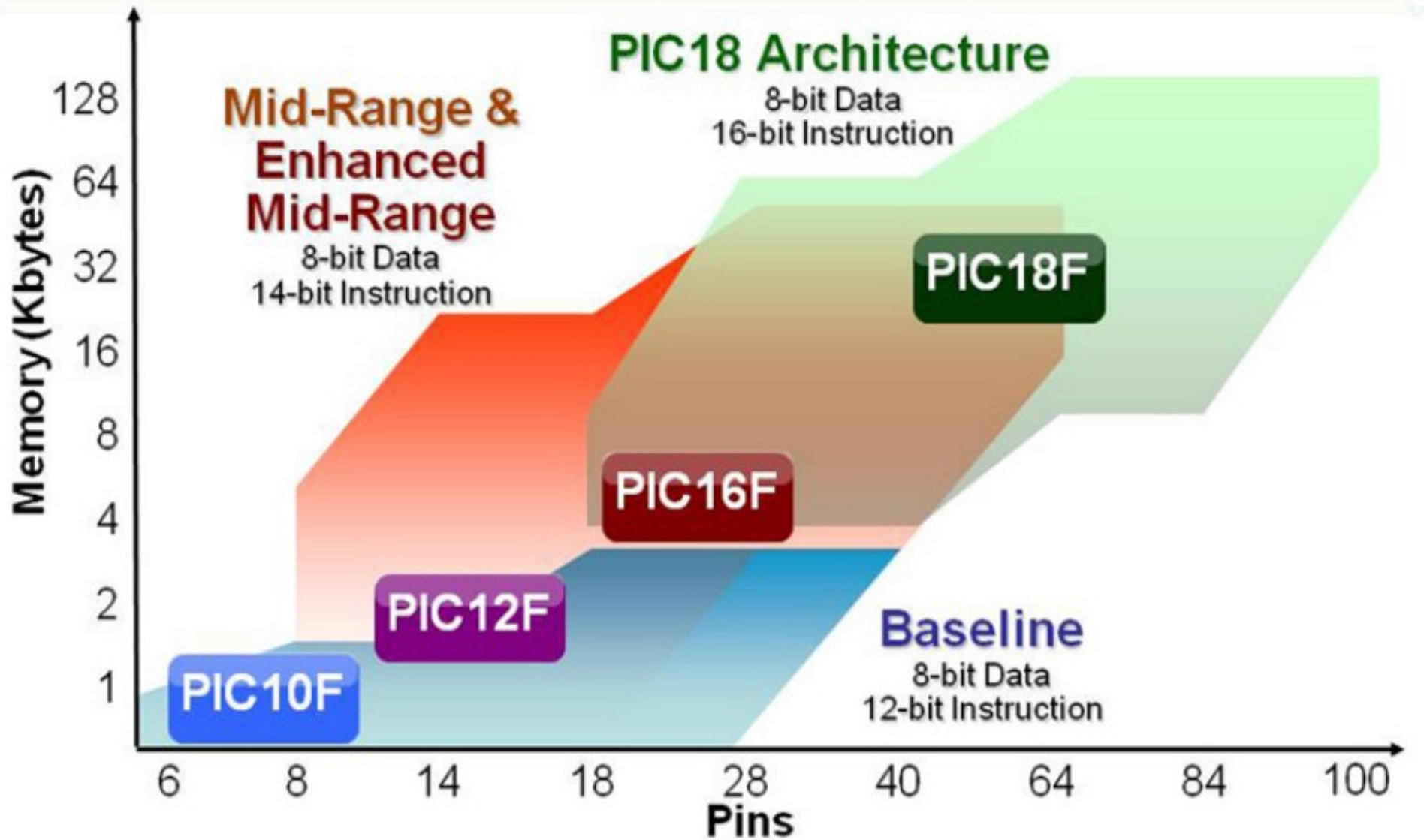


PIC Microcontrollers

- 8-bit MCUs
- 16-bit MCUs & DSCs
- 32-bit MCUs

www.microchip.com

8-bit PIC



Development Tools

Official Tools

- Windows/Mac/Linux
- MPLABx IDE
- Assembler
- Debugger
- XC8 C compiler

Community Tools

- IDE PikLab / PiKdev
- GNU Pic Utils (ASM)
- Simulator
- SDCC C-compiler
- Great Cow BASIC
- And many more...

Programming

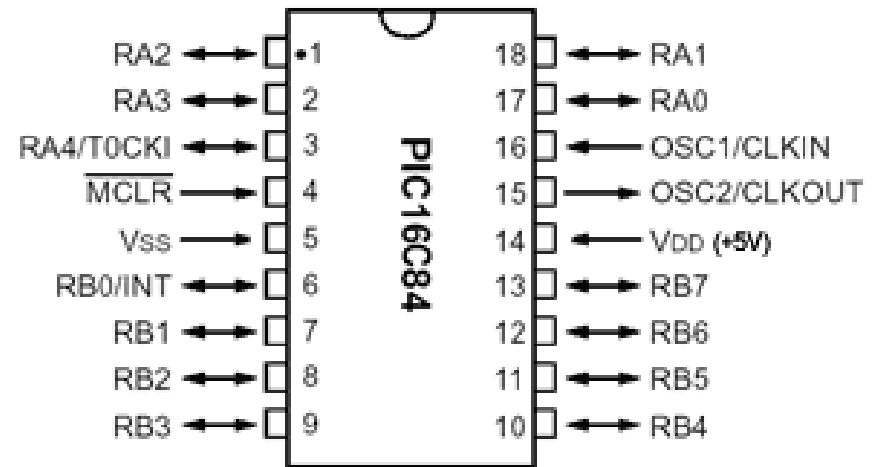
- Simple serial port
- David Tait Parallel Programmer
- PICKit USB
- Boot Loader
- USB Dev Board



PIC 16C84

Features

- 10 MHZ - XT or RC
- 36 bytes RAM
- 1K word Program
- 13 I/O Pins



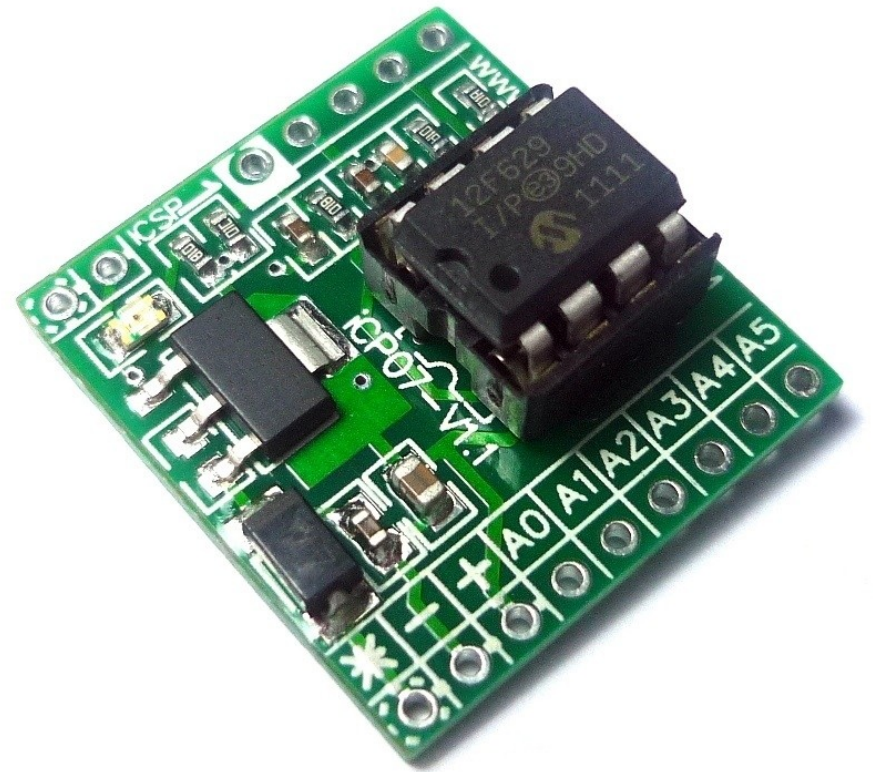
Fibre-optic Xmas Tree

- PIC16C84
- RC clock
- 4xAA Batteries
- 5v regulator
- R, G, B, 5mm LEDs
- Random Colours



PIC 12F1840

- 32MHz int. oscillator
- 2.3v – 5.5v
- 5 I/O Pins
- PWM, USART, I²C, SPI, 10bit ADC, 5bit DAC, Signal Modulator, SR Latch, Capacitive Touch
- Self-Programming Mode
- £0.91 on farnell



1-Wire Temperature Logger

- USB TTL UART board
- PIC 12F1840
- Dallas 1-Wire Temp Sensors

